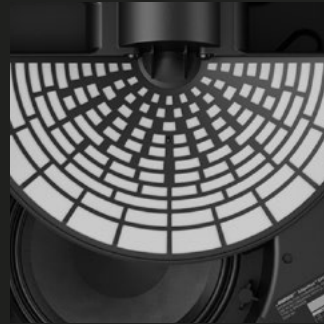


BOSE



Bose Work

CONFERENCING, CLARIFIED.



Work, better.

Bose Work solutions bring the simplicity and clarity of Bose to conferencing and unified communications. Today the workplace is every place: office, home, car, and coffee shop. So we have solutions that make any meeting better whether everyone's in the same room or in different hemispheres.

Our products integrate seamlessly with existing platforms, bringing enhanced video and audio performance to popular third-party cloud services such as Microsoft Teams, Google Meet, Zoom, and more.

Bose Work solutions help teams collaborate more effectively, moving beyond "good enough" audio and video so interactions are more natural and people can hear more, see more, understand more — and work better.

INTEGRATED MEETING ROOMS



Design integrated meeting rooms using products like ControlSpace EX processors, ControlSpace EX Dante® endpoints, Bose loudspeakers, and ControlSpace Designer software.

HUDDLE SPACES



Simplify huddle spaces with all-in-one solutions like the Bose Videobar VB1, a premium conferencing device perfect for huddle areas and small meeting rooms.

DESKTOP & MOBILE CONFERENCING



Help remote and open-office workers feel more engaged with desktop and mobile conferencing products like Bose Noise Cancelling Headphones 700 UC.



Huddle up and get more done.

BOSE VIDEOBAR VB1

From huddle spaces to medium-sized rooms, the Bose Videobar VB1 is an all-in-one USB conferencing device that brings premium audio and video to every meeting.

Make conversation more natural with six beam-steering microphones that actively focus on voices and reject noise — and auto EQ that delivers optimized audio to all participants

Communicate and be seen more clearly — a 4K ultra-HD camera with autoframing allows everyone to see and understand the presenter, whiteboard, flipchart, or other in-room objects — and feel more like they're together in the same room



Connect laptop via single USB cable to VB1 and in-room display, eliminating clutter, and use your choice of meeting platforms — Zoom, Microsoft Teams, Google Meet, and more

Improve call quality and multimedia presentations with premium audio from Bose-proprietary transducers; voices sound more natural and you get rich, room-filling sound from your USB-connected laptop or wireless *Bluetooth®* device

Clean up the conferencing experience with an elegant low-profile design that complements any space

Configure easily with Bose Work Configuration software, available as an app or via web browser; and manage remotely with Bose Work Management software which displays real-time status and allows for easy single-unit or system-wide changes





Work better, wherever.

BOSE NOISE CANCELLING HEADPHONES 700 UC

Now, the world is your conference room. Bose Noise Cancelling Headphones 700 UC equip you for better collaboration in the workplace and beyond: cubicle, open office, home office, and everywhere in between.

Speak confidently and be heard clearly on conference calls — an adaptive four-microphone pickup system isolates your voice from surrounding noise, eliminating the mute/unmute shuffle and “... are you there?” struggle

Personalize your work environment with 11 levels of noise cancellation, from virtual silence — for times of focus — to open and ambient, so you can hear what’s going on around you

Stay reliably connected and easily switch between audio sources — the included, pre-paired Bose USB Link *Bluetooth*® module provides a dedicated wireless connection to your computer

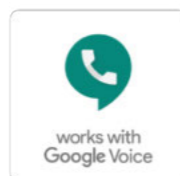
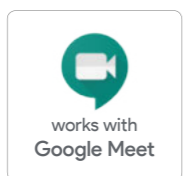
Collaborate in person instantly with Conversation Mode, which allows you to hear people and your surroundings clearly without removing your headphones

Enhance the audio experience with third-party cloud services such as Microsoft Teams, Google Meet, Zoom and more

Keep focused for hours with a comfortable, lightweight design, stainless-steel headband, and angled earcups



Compatible with **zoom**



Work better, together.

BOSE CEILING AUDIO SOLUTIONS

Clear the table for better collaboration. Part of the Bose Work family of conferencing products, the Bose Ceiling Audio Solutions are complete conferencing systems for fully integrated meeting rooms. They combine the premium performance of Bose loudspeakers and Sennheiser TeamConnect Ceiling 2 microphone — along with a Bose amplifier and DSP — to deliver a seamless meeting experience that empowers productivity. They’re complete room audio solutions, ready for quick deployment and configuration of the electronics, reducing installation time.

Deliver a truly integrated premium conferencing solution, combining Bose loudspeakers (choose from the EdgeMax EM180 or DesignMax DM2C-LP), Sennheiser TeamConnect Ceiling 2 microphone, ControlSpace EX-440C processor, and PowerSpace P2600A amplifier

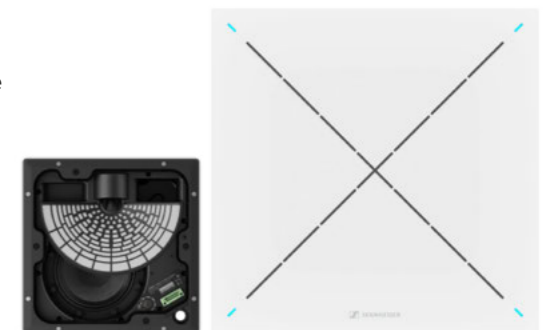
Clean up the conferencing experience with fewer devices on walls or tabletops, giving people the freedom to focus on work, the flexibility to sit or stand anywhere in the room, and the confidence that they’ll hear and be heard clearly

Choose from two systems — the innovative Bose ES1 system, featuring one EdgeMax EM180 loudspeaker, or the more conventional Bose DS4 system, featuring four DesignMax DM2C-LP loudspeakers

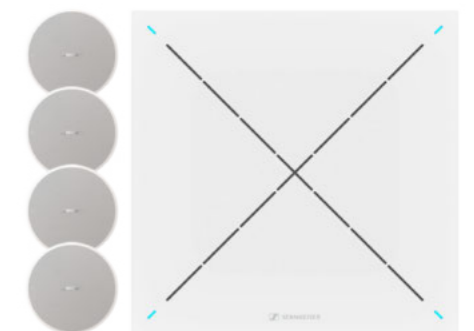
Bring clarity and intelligibility to large meeting rooms with superior echo-cancelling technology, so remote meeting participants can communicate freely and feel like they’re in the room

Deploy quickly with reference configurations that help reduce installation time

Combine with popular unified communications platforms such as Microsoft Teams, Zoom, Google Meet, and more, to provide enhanced audio performance in fully integrated meeting rooms



Bose ES1 system



Bose DS4 system



Compatible with **zoom**

*Bose and Sennheiser products sold separately. Please contact your Bose or Sennheiser representative for more information.



Huddle spaces

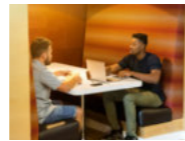
For huddle spaces, the Bose Videobar VB1 cleans up the conferencing experience with an elegant low-profile design. It connects via a single USB cable, reducing clutter, and can be mounted easily in a variety of ways with the included table stand and wall-mount kit, or with a mounting accessory (sold separately).



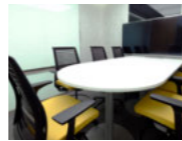
Open offices



Huddle rooms



Meeting booths

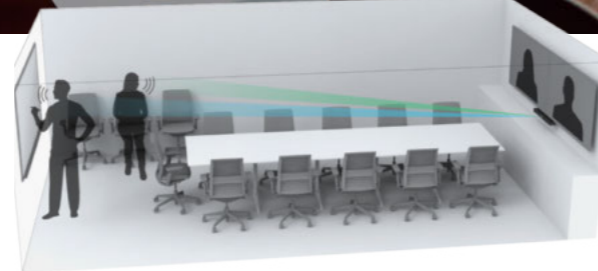


Small meeting rooms

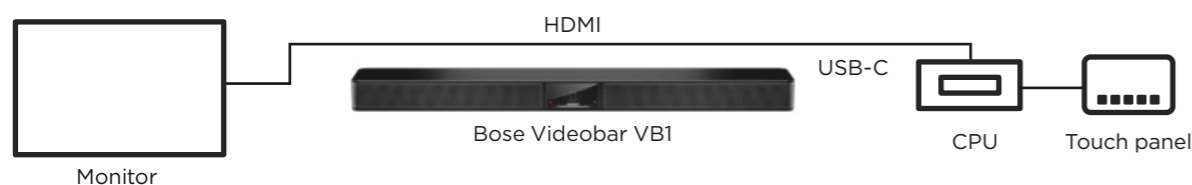


Medium-sized conference rooms

In medium-sized conference rooms — and even in acoustically challenging rooms with glass walls — the Bose Videobar VB1 makes conversation natural. Six beam-steering microphones actively focus on voices and reject noise, and auto EQ that delivers optimized audio to all participants.



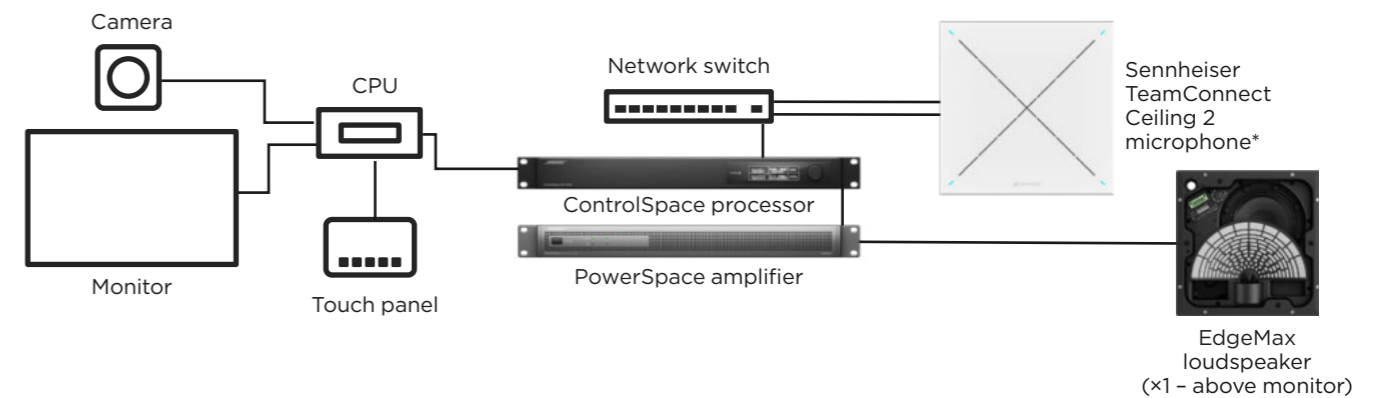
Ideal for rooms up to 6 m (20 ft) long



Integrated meeting rooms 1

The Bose ES1 system* is a fully certified solution, ready for quick deployment and configuration of the electronics, reducing installation time. And it's more than fully integrated — it's truly integrated. Completely out of the way. With fewer devices on walls or tabletops, meeting

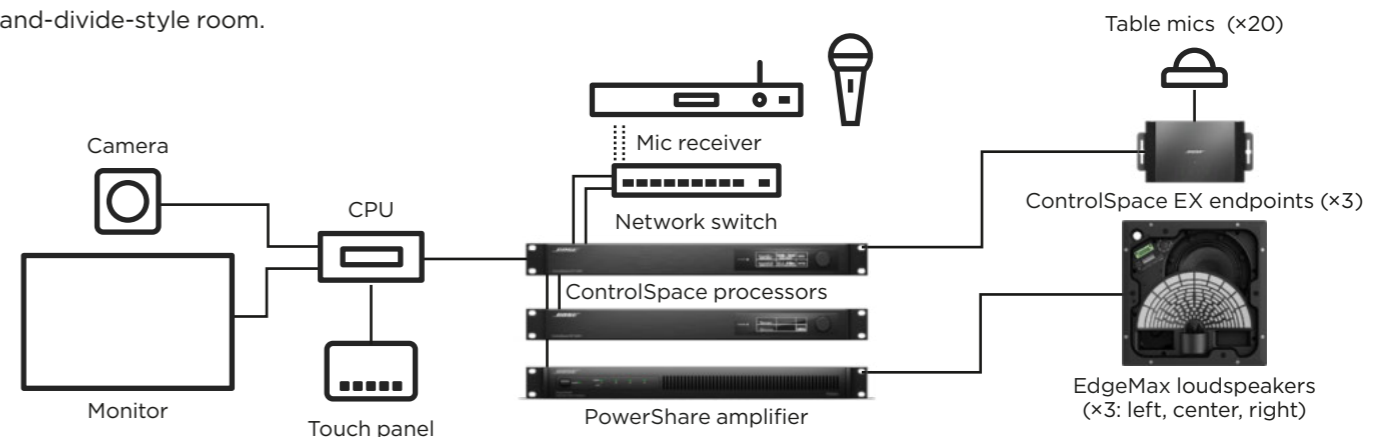
participants can stand, sit, or move around the room freely with the confidence that they'll hear and be heard. With the ES1 system, it's easier for teams to focus on ideas, move projects forward, and work better, together.



Integrated meeting rooms 2

With loudspeakers designed for vocal intelligibility and processors featuring specialized conference room algorithms, Bose Work solutions help keep the whole team on the same page. Beyond the ES1 system seen above, the Bose Work line of integrated conferencing products includes scalable solutions to fit virtually any large conference room, multi-room setup, or combine-and-divide-style room.

Integrators can choose from a wide range of products, combining Bose loudspeakers, amplifiers, endpoints, and processors to create perfectly tailored solutions that effectively cover a room of a given size, acoustic signature, ambient noise level, and more. Below is just one example.



*Bose and Sennheiser products sold separately. Please contact your Bose or Sennheiser representative for more information.



Bose has joined the call.

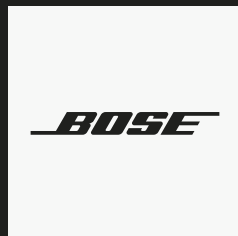
Bring the simplicity and clarity of Bose to all of your conferencing spaces — with all-in-one innovations for huddle spaces, desktop and mobile conferencing products, and fully integrated systems. **Bose Work** solutions help everyone hear more, see more, understand more — and work better.

PARTNER WITH US

With a global presence, including subsidiaries in 25 countries and comprehensive training — both online and in-person — we're ready to partner with you.

CONTACT US TODAY

To learn more about the full range of Bose conferencing solutions, contact us:
PRO.BOSE.COM/contact or email **bosework@bose.com**



BOSE.COM

AUDIO FOR LIFE

© 2020 Bose Corporation. Bose, Bose Videobar VB1, Videobar, Bose Work, Bose Noise Cancelling Headphones, ControlSpace, PowerSpace, PowerShare, EdgeMax, and DesignMax are trademarks of Bose Corporation. Sennheiser, Microsoft Teams, Google Meet, Google Voice, Zoom, *Bluetooth*, HDMI, VESA, and Dante are registered trademarks of their respective owners. 10/2020

Product images and system examples not to scale.